

## Full HD 3G / HD-SDI Camera

# KP-HD3005G

Full HD / Global Shutter CMOS / 0.0001 lux / NIR Sensor



Rear Panel



- By adopting the global shutter CMOS sensor, distortion due to the movement of the camera or subject does not occur.
- Achieves high sensitivity with a minimum subject illuminance of 0.0001 lux by adopting high-sensitivity CMOS of 2/3 type (effective pixel area: 1 / 1.58 type).
- By adopting C (CS) mount, it is possible to select the lens according to the application.
- Smooth enlargement up to 4x with digital zoom function (applies only to the center of the image).
- Equipped with a pixel defect correction function for users.
- The Defog function clearly expresses hazy images.
- Clean specifications of the imaging surface compatible with 60x zoom lenses.

### Global Shutter

Global shutter does not distort the image due to the movement of the subject like rolling shutter.



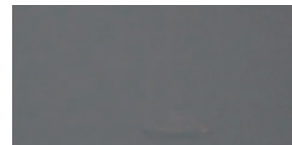
Rolling Shutter



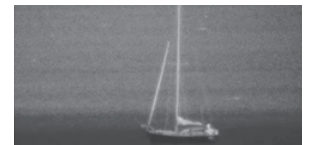
Global Shutter

### Fog & Smoke Reduction

Adaptive Defog. B&W with Visible Cut (Lens Option) Filter allows camera to see through fog in real time.



OFF



ON

### Motion Stabilizer

Motion Stabilizer (with optional VG-2000PCB)  
2000mm Zoom Lens x60 Zoom.



OFF



ON

### Real Time Heat Haze Correction

Heat & Haze correction, 2000mm Zoom Lens  
x60 Zoom (with optional VG-2000PCB).



OFF



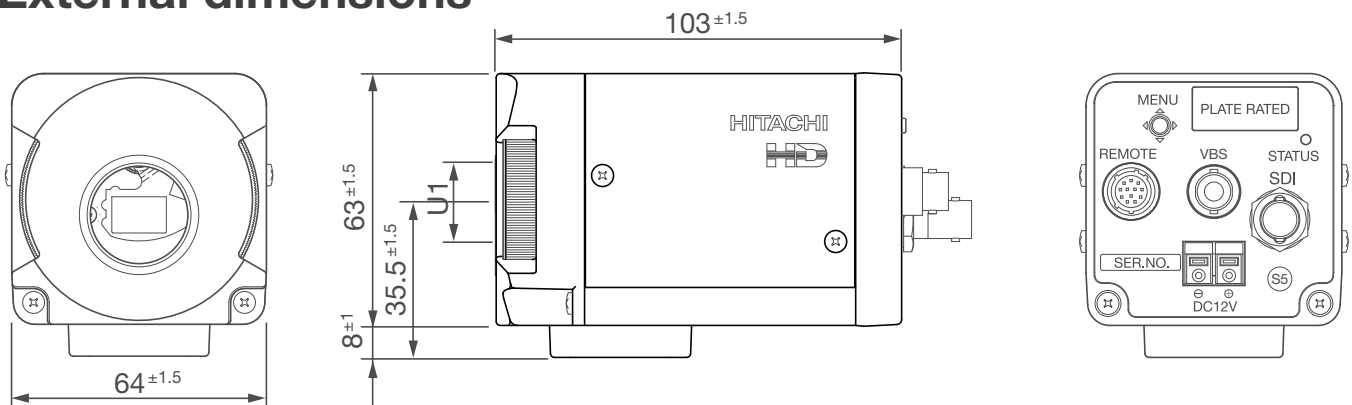
ON

# Main Specifications

KP-HD3005G	
Imaging Device	2/3 inch CMOS (RGB Bayer color) Effective Area: 1/1.58 inch
Total pixels	1944(H) X 1496(V) 2.91M pixels
Effective pixels	1944(H) X 1096(V) 2.13M pixels
Imaging System	Progressive 59.94fps/50fps
Sync system	Internal
Video output	3G-SDI (SMPTE424M) & HD-SDI (SMPTE292M) & Analog VBS (selectable PAL or NTSC)
Video format	3G-SDI: 1080 59.94p/50p, HD-SDI: 29.97p/25p
Minimum illumination	Color: 0.015 lux (F1.2 AGC: 75dB, Gamma: High, SENS UP OFF, Shutter: 1/60) B&W: 0.0001 lux (F1.2 AGC: 75dB, Gamma: High, SENS UP OFF, Shutter: 1/60)
S/N ratio	More than 60dB
Resolution	Horizontal resolution more than 800 lines TV lines

OPERATIONAL	
AGC	OFF / Auto (Max Gain 75dB: When Defog is OFF, Max Gain 42dB: When Defog is AUTO)
Electronic shutter	OFF / AES / Manual (1/60 to 1/10000 sec)
Electronic sensitivity (SENS UP)	OFF / Auto (Max 30[25] times) / Manual (2 to 30[25] times)
Defog	OFF / Auto / Auto-High
Day & Night (W/B switching)	COLOR / B&W / Auto (ICR)
Light Control	OFF / ON (photometry area with ROI capability)
White Balance	Auto / One Push / Manual: Normal (2500K–8000K), Special (2300K–10000K)

## External dimensions



These Specifications are subject to change without notice.

**CAUTION :** To ensure safe operation, please read the instruction manual before using this product.

### Hitachi Kokusai Electric Inc.

URL : <https://www.hitachi-kokusai.co.jp/global/en/index.html>  
32, Miyuki-cho, kodaira-shi, Tokyo 187-8511, Japan  
Phone : +81-42-322-3111, Fax : +81-42-322-3303

### Hitachi Kokusai Electric Asia (Singapore) Pte. Ltd.

URL: <https://www.hitachi-kokusai.com.sg/>  
9 Tampines Grande, Asia Green, #02-00,  
Singapore 528 735  
Phone : +65-6911-6794

### Hitachi Kokusai Electric America, Ltd.

URL: <https://www.hitachikokusai.us/>  
**Headquarters**  
104 Feeding Hills Road Southwick, MA 01077, U.S.A.  
Toll Free : +1 (833) 227-1658,  
Phone : +1 (669) 207-5038

**West Office**  
11258 Monarch Street, Unit H  
Garden Grove, CA 92841, U.S.A.

**West Sales** Phone : +1 (516) 682-4448  
**East Sales** Phone : +1 (516) 682-4445  
**Midwest Sales** Phone : +1 (516) 682-4450

### Hitachi Kokusai Electric Europe GmbH

URL : <https://www.hitachi-keu.com/>  
**Frankfurt Head Office**  
Siemensstr. 9, D-63263 Neu-Isenburg, Germany  
Phone : +49 (0) 6102-8332-0, Fax : +49 (0) 6102-8332-499  
**London Office**  
Orion House, Bessemer Road, Welwyn Garden City, Herts,  
AL7 1HH, UK  
Phone : +44 (0) 7808 330195

### Hitachi Kokusai Linear Equipamentos Eletrônicos S/A

URL : <https://www.hitachi-linear.com.br/>  
Avenida Frederico de Paula Cunha, 1001 - Maristela  
Santa Rita do Sapucaí - MG - Brasil - CEP: 37540-000  
Phone : +55 (35) 3473-3473, Fax : +55 (35) 3473-3474