

## AT8001 ATSC Digital Exciter

**OFFERING INDUSTRY - LEADING BROADCAST SOLUTIONS -  
EMPOWERING BROADCASTERS TO DO MORE WITH LESS**



HITACHI has a complete range of cost-effective, high performance flash-cut exciter and transmitter solutions to get you on the air fast—or allow you to upgrade a current digital operation.

HITACHI hardware and software provides best-in-class performance. Proprietary digital Pre-correction algorithms for non-linearity and equalization on passive components set us apart from the competition—along with our low cost of entry into the digital world.

HITACHI is a leading manufacturer of digital exciters and transmitters with state-of-the-art designs and world-class quality manufacturing.

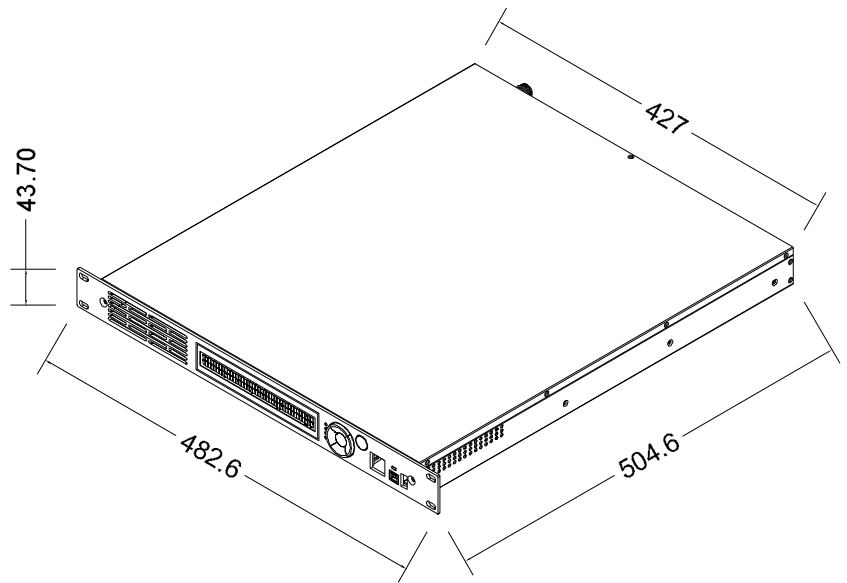
Not just digital. Better digital.™

Contact us today for more information.



## FEATURES

- ▲ Control Interface
  - 2 line x 40 column digital display and keyboard
  - Ethernet Web Server
- ▲ Indicators
  - Power Supply Status
  - Input Transport Stream Status
  - Current / Past Alarms
- ▲ Front panel adjustments
  - LO Leakage Suppression
- ▲ Automatic "one-click" linear and non linear pre-correction
- ▲ Time base for VOXC0 with the possibility to sync it by an external 10 MHz reference (for example: GPS)
- ▲ ASI / SMPTE310M compatible
- ▲ IF complex modulation
- ▲ UHF band channels 14-69
- ▲ Lightweight and only 1 RU



## TECHNICAL SPECIFICATIONS

### Electrical

RF Power Output	adjustable from -20dBm to +18dBm
Mains	90 ~ 240 VAC, automatic selection
Consumption	approx. 70W (80W max.)

### Signal Input

Transport Stream Input	SMPTE310M or ASI
Input Data Rate	19.39 Mbps
External Reference Signal (Optional)	10 MHz (5 dBm +/- 3 dB)
Input Connector	75 (BNC)
Reference Input Connector	50 (BNC)

### RF

Modulation Mode	8 VSB All Digital Complex IF Modulation
Channel Bandwidth	6 MHz or 8 MHz
Test Signal	PRBS (Pseudo Random Bit Sequence)
Frequency Range	UHF Ch 14-69
Frequency Step	1 Hz
Symbol Rate	10.76 MHz
Digital / Analog Converter	16 Bit
Non-linear Pre-correction	Included
Linear Pre-correction	Included
Spurious and Harmonics	< -60 dBc, FCC 47 Part 74
Modulation Error Ratio (MER) Uncorrected	≥ 39 dB

### Communication

USB

### Mechanical

Cooling	Forced Air
Dimensions	1 RU (H) 19(W) 20.7 (D)
Net Weight	17.2 lbs / 7.8 Kg

## APPLICATIONS

- ▲ OEM Low, Medium and High Power TV Transmitter Flash Cut
- ▲ OEM Digital Transmitter Upgrades
- ▲ Test Transmitter
- ▲ Universal Standby Exciter

## OPTIONS

- ▲ Test and Monitoring System
- ▲ Memory Error Correction
- ▲ Crest Factor Reduction
- ▲ Additional Group Delay Correction
- ▲ 10 MHz External Reference
- ▲ MDTV (Mobile Digital TV)

Hitachi Kokusai Linear Equipamentos Eletrônicos S/A.

#### Global Headquarters

Praça Linear, 100 - Centro  
 Santa Rita do Sapucaí - MG - Brasil, CEP: 37540-000  
 Tel: +55 (35) 3473-3473  
 www.hitachi-linear.com.br

#### Sales Office

**São Paulo-SP:** Tel: +55 (35) 3541-3244 - Avenida Paulista 1159 - 3º Andar - Conj. 304 - CEP: 01311-200  
**Belo Horizonte-MG:** Tel: +55 (31) 3212-4899 - Rua dos Timbiras, 1940, Salas 608/609 - CEP: 30140-061

**International Service:** Tel: +55 (35) 3473-3476 / +55 (31) 3212-4899 or e-mail: exportacao@linear.com.br