

# Hitachi Kokusai Electric

# HITACHI

Inspire the Next

4K Multi-Purpose Camera

# DK-H700

4K <sup>ULTRA</sup> HD

HDR  
HIGH DYNAMIC RANGE



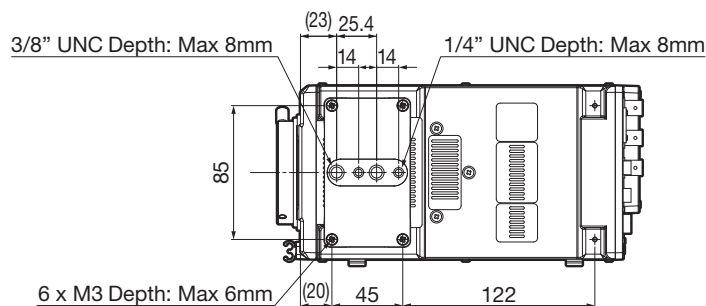
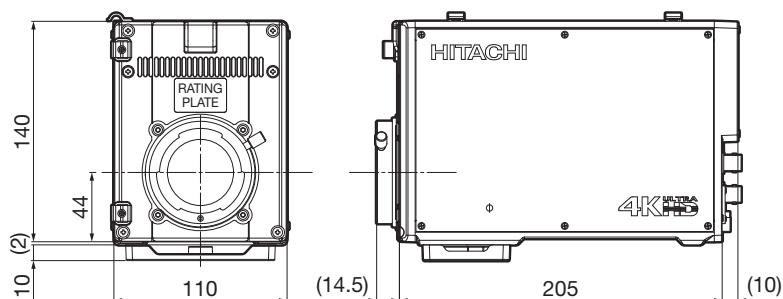
- Newly developed technology to achieves ITU-R BT.2020 broadcast standard widened color space.
- 2/3" Lens Compatibility for those difficult shots that require the most advanced specifications.
- Advanced Auto Chroma Feature to keep theatrical lighting in true color space.
- Easy integration to 3rd parties' robotic systems.
- Direct compatibility with existing remote panels.

# Specifications

## Camera Head DK-H700

<b>Model name</b>	DK-H700(59.94 Hz), DK-H700E(50 Hz)
<b>Image sensor</b>	3-chips, 2/3-inch, CMOS image sensor with global shutter Effective pixels : 3,840 (H) × 2,160 (V)
<b>Signal format</b>	2160p, 1080psf, 1080p, 1080i, 720p
<b>Prism</b>	F1.4
<b>Optical Filter</b>	1x motorized filter wheel ND (CLEAR, 1/4 ND, 1/16 ND, 1/64 ND)
<b>ECC Filter</b>	3200K, 4300K, 5600K, 6300K, 8000K
<b>Lens mount</b>	B4 Bayonet
<b>Horizontal Resolution</b>	2000 TVL (At center, 5% or higher modulation depth)
<b>SNR</b>	62dB typ.
<b>Sensitivity</b>	59.94p : F10 @ 2000 lx, 3200 K, 89.9% reflectance 50p : F11 @ 2000 lx, 3200 K, 89.9% reflectance
<b>Minimum illumination</b>	0.001 lx (at F1.4, +36dB gain and two second long time integration)
<b>Vertical Smear</b>	No smear
<b>Gain selection</b>	L (low) -9/-6/-3/0 dB M (medium) 0/+3/+6/+9/+12/+15/+18/+21 dB H (high) +3/+6/+9/+12/+15/+18/+21/+24/+27/+30/+33/+36 dB
<b>Shutter</b>	Preset mode 1/100, 1/250, 1/500, 1/1000, 1/2000, 1/4000, 1/10000 second (59.94 Hz) 1/60, 1/250, 1/500, 1/1000, 1/2000, 1/4000, 1/10000 second (50 Hz) Lock scan mode 1/60.53 to 1/11077, 0.03 to 2.14 second (59.94Hz) 1/50.39 to 1/9246, 0.04 to 2.56 second (50Hz) AES mode The video level is maintained by controlling shutter speed.
<b>Geometric distortion</b>	Overall: 0 % (excluding lens characteristics)
<b>Registration Overall</b>	0.01 % (excluding lens characteristics)
<b>Dimensions</b>	110(W) x 140(H) x 205(D) (excluding protrusions)
<b>Power supply voltage</b>	DC 12 V (10.5 V to 17 V)
<b>Power Consumption</b>	Approx. 60 W (DC12V)
<b>Temperature range</b>	Operation -20 °C to +45 °C, -4 °F to +113 °F Storage -20 °C to +60 °C, -4 °F to +140 °F
<b>MASS</b>	Approx. 2.4 kg (5.3 lbs)
<b>Input &amp; Output</b>	MON OUT: 1X BNC HD-SDI out (Character ON/OFF) SDI OUT1/2: 2X BNC 12G/6G/3G/HD-SDI out GL IN: 1X BNC for Tri-level sync or BB REMOTE1: 4-pin Multi connector for Remote Control Unit REMOTE2: 8-pin RJ-45 connector for 10BASE-T/100BASE-T TALLY OUT: 6-pin Multi connector for R/G TALLY LENS: 12-pin Multi LENS connector DC IN: 4-pin XLR connector

# Dimensions



Rear View

Features and specifications are subject to change without notice.  
All other trademarks are the property of their respective owners.

**CAUTION** : To ensure safe operation, please read the instruction manual before using this product.

### Hitachi Kokusai Electric Inc.

URL : <https://www.hitachi-kokusai.co.jp/global/en/index.html>  
32, Miyuki-cho, kodaira-shi, Tokyo 187-8511, Japan  
Phone : +81-42-322-3111, Fax : +81-42-322-3303

### Hitachi Kokusai Electric Asia (Singapore) Pte. Ltd.

URL : <https://www.hitachi-kokusai.com.sg/>  
9 Tampines Grande, Asia Green, #02-00,  
Singapore 528 735  
Phone : +65-6911-6794

### Hitachi Kokusai Electric America, Ltd.

URL: <https://www.hitachikokusai.us/>  
**Headquarters**  
104 Feeding Hills Road Southwick, MA 01077, U.S.A.  
Toll Free : +1 (833) 227-1658,  
Phone : +1 (669) 207-5038

**West Office**  
11258 Monarch Street, Unit H  
Garden Grove, CA 92841, U.S.A.

**West Sales** Phone : +1 (516) 682-4448  
**East Sales** Phone : +1 (516) 682-4445  
**Midwest Sales** Phone : +1 (516) 682-4450

### Hitachi Kokusai Electric Europe GmbH

URL : <https://www.hitachi-keu.com/>  
**Frankfurt Head Office**  
Siemensstr. 9, D-63263 Neu-Isenburg, Germany  
Phone : +49 (0) 6102-8332-0, Fax : +49 (0) 6102-8332-499  
**London Office**  
Orion House, Bessemer Road, Welwyn Garden City, Herts,  
AL7 1HH, UK  
Phone : +44 (0) 7808 330195

### Hitachi Kokusai Linear Equipamentos Eletrônicos S/A

URL : <https://www.hitachi-linear.com.br/>  
Avenida Frederico de Paula Cunha, 1001 - Maristela  
Santa Rita do Sapucaí - MG - Brasil - CEP: 37540-000  
Phone : +55 (35) 3473-3473, Fax : +55 (35) 3473-3474