

# Hitachi Kokusai Electric

# HITACHI

Inspire the Next

## High Performance, Multi-format Compact, HDTV Box Camera

# DK-H100



The DK-H100 is a high-performance special application HDTV/SD camera. The camera is ideal for graphic stands point of view and remote observation applications. With its new 2.3 million pixels native 1080i 3-CCD, the DK-H100 provides outstanding performance. The camera offers sharper and cleaner HD images due to its 14-bit A/D converters and Hitachi's implementation of the latest digital processing technology. The camera achieves outstanding high sensitivity and a low vertical smear specifications.

## Features

### ●High S/N with HD-SDI

Outstanding Signal-to-noise ratio >60dB measured on the HD-SDI (1080i) output.

### ●14-bit ADC with the latest generation Hitachi DSP

High dynamic range and color fidelity are achieved by employing 14-bit analog-to-digital converters on the RGB CCDs' outputs. Hitachi is a leading developer for High performance CPU & DSP in Broadcast Fields.

### ●High Resolution

The latest generation 2/3-inch 2.3 million pixels CCD with micro lenses and digital multi speed signal processing circuits provide a horizontal resolution performance of 1100 TV lines (luminance channel).

### ●Small & light weight head

### ●Versatile CCD shutter

- Five Preset shutter speeds
- Lock scan the camera video to images from asynchronous computer monitors, video walls or projectors without flicker
- Automatic Electronic Shutter (AES) maintains the video level with a fixed lens f-stop

### ●DSP provide advanced image handling and adjustment functions

- Knee saturation and auto-knee
- 12-Vector and Linear Matrix masking
- Skin tone masking
- Automatic Skin Tone Detail Circuits
- Variable Detail Boost Frequency
- Ultra Gamma
- Gray Scale Automatic Setup
- Automatic Shading Correction

### ●Extensive User-Friendly Features

- Full Auto
- Nine scene files are provided to store and recall functions such as gain, detail, masking, gamma and other settings
- White balance memories are provided for each Scene files for a total of nine memories by the remote control panel
- Menu access is provided for iris level (fine adjustment) and iris peak/average selection
- Computer controlled real-time auto-white balance
- ECC (Electric Color Compensating) filter
- Normal single fiber output is provided (option)

## Specifications

CCD	2/3-inch, IT-CCD
Total pixels	2,010 (H) × 1,120(V) 2.3 million pixels
Effective pixels	1,920 (H) × 1,080(V)
Aspect ratio	16:9 (HD/SD), 4:3 (SD) switchable
TV signal format	1080/59.94i, 1080/50i, 480/59.94i, 576/50i
HD Resolution	1100TVL
Standard sensitivity	2000 lx / F10 (1080/59.94i), 2000 lx / F11 (1080/50i) 3200K, 89.9% reflectance
Minimum illumination	0.002lx (F1.4, 36dB Video Gain+36dB frame accumulation mode)
HD S/N	Typical 60dB (HD-SDI output decode Y channel Band : 27.5 MHz)
Optical Filter	Clear, 1/4 ND, 1/16 ND, 1/64 ND
ECC Filter	3200K, 4300K, 5600K, 6300K, 8000K
Shutter	PRESET
	Lock Scan
Gain selection	L (low)
	M (medium)
	H (high)
Dimensions (W × H × D)	99(W) × 105(H) × 155(D) (excluding protrusions)
Power consumption	approx. 17W (DC12V)
Mass	approx. 1.5 kg (3.3 lbs)

## Input/Output

Genlock	BNC, Tri-level sync / Black burst
SDI output	BNC × 2, HD-SDI : SMPTE292M 0.8Vp-p/1.5Gbps SD-SDI : SMPTE259M-C 0.8Vp-p/270Mbps
Remote control	1 : 4pin, RS-232C/Remote Control panel 2 : RJ-45, 10BASE-T/100BASE-TX
Lens control	12pin
VF output	D-sub 15pin

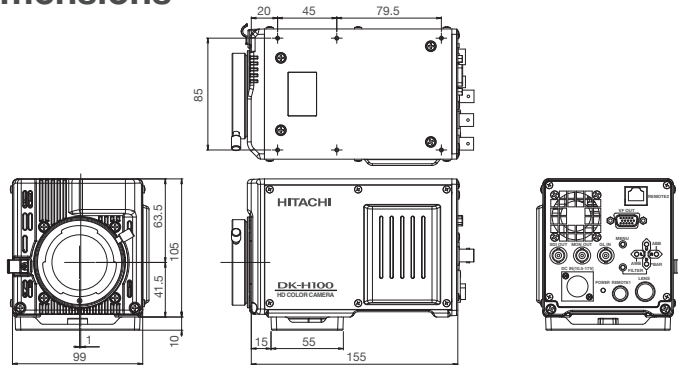
## Standard composition

Camera head DK-H100	1
Lens Mount Cap	1
Operation Manual	1

## Accessories

Remote control unit	RU-1000VR / RU-1500JY
Setup control unit	SU-1000
AC adaptor	IA-60a (I.D.X)
Lens Extension Cable	ECE-R22 (0.22m) (FUJINON)

## Dimensions



**CAUTION :** To ensure safe operation, please read the instruction manual before using this product.

## Hitachi Kokusai Electric Inc.

32, Miyuki-cho, kodaira-shi, Tokyo 187-8511, Japan  
Phone : +81-50-3383-3432, Fax : +81-42-322-3270  
URL : <http://www.hitachi-kokusai.co.jp/global/index.html>

### Hitachi Kokusai Electric Asia (Singapore) Pte. Ltd.

Head Office : 7 Tampines Grande, #02-04 Hitachi Square, Singapore 528736  
Phone : +65-(0)6212-1945, FAX : +65-(0)6231-2429

China Office : Room 1415, Fortune building Beijing, 5 Dong San Huan Bei-Lu, Chao Yang District, Beijing, China, 100004  
Phone : +86(0) 10-6590-8755/8756, Fax : +86(0) 10-6590-8757

Korea Office : 7F, The Korea Chamber of Commerce & Industry 45, Namdaemunro 4ga, Jung-gu, Seoul, 100-743, Korea  
Phone : +82-(0)2-6050-8581, Fax : +82-(0)2-6050-8589

### Hitachi Kokusai Electric America, Ltd. URL: <http://www.hitachikokusai.us>

Headquarters : 150 Crossways Park Drive, Woodbury, NY 11797, U.S.A.  
Phone : +1 (516) 921-7200, Fax : +1 (516) 496-3718

West Office : 11258 Monarch Street, Unit H, Garden Grove, CA 92841, U.S.A.  
Phone : +1 (714) 895-6116, Fax : +1 (714) 895-6252

Northeast Sales : Phone : +1 (860) 757-3892 South Sales : Phone : +1 (850) 934-1234  
Midwest Sales : Phone : +1 (330) 334-4115 Latin Sales : Phone : +1 (516) 682-4408

### Hitachi Kokusai Electric Canada, Ltd.

Headquarters : 1 Select Avenue, Unit#12, Scarborough, Ontario M1V 5J3, Canada  
Phone : +1(416)299-5900, Fax : +1(416)299-0450

Eastern Office : Phone : +1(514)332-6687

These Specifications are subject to change without notice.

### Hitachi Kokusai Electric Europe GmbH URL : <http://www.hitachi-keu.com>

Frankfurt Head Office : Siemensstr. 9, D-63263 Neu-Isenburg, Germany  
Phone : +49(0) 6102-8332-0, Fax : +49(0) 6102-202616

London Office : Windsor House, Queensgate, Britannia Road, Waltham Cross, Hertfordshire EN8 7NX, United Kingdom  
Phone : +44(0) 845-121-2177, Fax : +44(0) 845-121-2180

General email address : [webmaster@hitachi-keu.com](mailto:webmaster@hitachi-keu.com)

### Hitachi Kokusai Linear Equipamentos Eletrônicos S/A URL : <http://www.linear.com.br>

Head Office : Rodovia BR 459, No121-A, Km 121 - Bairro Corrego Raso, Santa Rita do Sapucaí, MG -Brazil  
Phone : (+55 35) 3473-3473, Fax : (+55 35) 3473-3474

Sales Office : Alameda Santos 745, -9 Ander- Cj. 91-B, Cerqueira Cesar, Sao Paulo, SP -Brazil  
Phone : (+55 11) 3541-3244, Fax : (+55 11) 3541-2425

### Hitachi Kokusai Electric Turkey Elektronik Ürünleri Sanayi ve Ticaret A.Ş.

URL : <http://www.hitachi-kokusai.com.tr>

Head Office : Palladium Ofis ve Residence Binasi Barbaros Mahallesi  
Halk Caddesi No:8/A Kat:2-3 34746 Atasehir Istanbul Turkey  
Phone : +90-216-663-6045, Fax : +90-216-663-6100

Branch : Istanbul Endustri ve Ticaret Serbest Bolgesi  
Akif Kopuz Caddesi No:3 34957 Tuzla Istanbul Turkey  
Phone : +90-216-394-2908, Fax : +90-216-394-2909